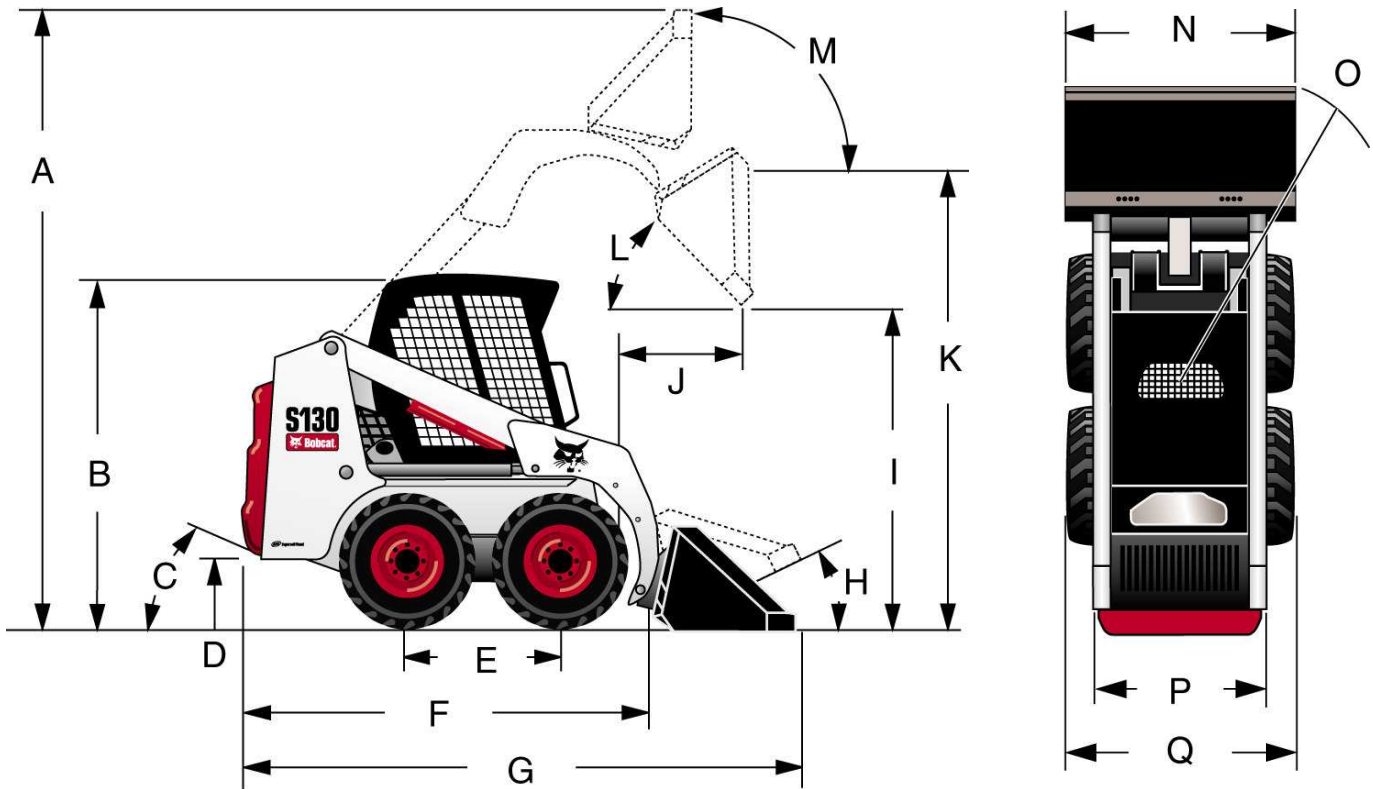


# S130 SKID-STEER LOADER SPECIFICATIONS

## DIMENSIONS



A) Operating Height .....	143.4" (3812 mm)
B) Height with Operator Cab .....	77.3" (1963 mm)
C) Angle of Departure .....	23°
D) Ground Clearance .....	7.4" (188 mm)
E) Wheelbase .....	35.5" (900 mm)
F) Length without Attachment .....	95.8" (2432 mm)
G) Length with Standard Bucket .....	124.1" (3152 mm)
H) Rollback @ Carry Position .....	25°
I) Dump Height with Standard Bucket ....	82.7" (2101 mm)
J) Dump Reach @ Maximum Height ....	22.6" (575 mm)
K) Height to Bucket Hinge Pin .....	109.5" (2781 mm)
L) Dump Angle @ Maximum Height .....	40°
M) Rollback Fully Raised	
@ Maximum Height .....	96°
Carry Position .....	9.1" (231 mm)

N) Width (over bucket)	
54" Bucket with offset rims .....	54.0" (1372 mm)
60" Bucket .....	60.0" (1524 mm)
62" Bucket .....	62.0" (1575 mm)
O) Turning Radius	
with Standard Bucket .....	68.7" (1745 mm)
Rear Clearances .....	59.4" (1509 mm)
P) Wheel Tread	
10-16.5 .....	48.1" (1222 mm)
10-16.5 with offset rims .....	42.5" (1079 mm)
31.5x13-16.5 .....	48.5" (1232 mm)
Q) Width (over tires)	
10-16.5 .....	58.7" (1490 mm)
10-16.5 with offset rims .....	53.8" (1367 mm)
31.5x13-16.5 .....	59.4" (1509 mm)

## PERFORMANCE

Rated Operating Capacity (SAE J732) .....	1300 lbs. (590 kg)
Rated Operating Capacity with Counterweight option .....	1400 lbs. (635 kg)
Tipping Load (SAE) .....	2634 lbs. (1195 kg)
Operating Weight (SAE) .....	5235 lbs. (2375 kg)
Travel Speed .....	7.3 mph (11,8 km/hr)
Lift Breakout Force (SAE) .....	2800 lbs. (1270 kg)
Tilt Breakout Force (SAE) .....	3000 lbs. (1361 kg)
Push Force .....	3400 lbs. (1542 kg)

ENGINE/ELECTRICAL
-------------------

Make/Model .....	Kubota/V2403-MDI-E3
Fuel/Cooling .....	Diesel/Liquid
Horsepower (SAE Gross) .....	49 HP (36 kW)
Maximum Governed RPM .....	2700 RPM
Torque @ 1650 RPM (SAE Net) .....	109.6 ft. -lbs. (148,6 Nm)
Number of Cylinders .....	4
Displacement .....	148.5 cu. in. (2,4 L)
Bore/Stroke .....	3.43 in./4.03 in. (87 mm/102 mm)
Fuel Consumption .....	1.8 gph (6,8L/h)
	Estimated fuel consumption is based on testing by Bobcat Company in high duty cycle digging applications.
Lubrication .....	Gear Pump Pressure System with Filter
Fuel Injection System .....	Direct
Crankcase Ventilation .....	Closed, breathing
Air Cleaner .....	Replaceable dry paper cartridge with separate safety element
Ignition .....	Compression (Diesel)
Engine Coolant .....	Propylene glycol/water mix (53%-47%) with freeze protection to -34 °F (-37 °C)
Starting Aid .....	Glow plugs
Alternator .....	90 amps; ventilated
Battery .....	12 volt; 600 cold cranking amps @ 0 °F (-18 °C); 115 minute reserve capacity @ 25 amps
Starter .....	12 volt; gear reduction type; 4.02 HP (3,0 kW)

HYDRAULIC SYSTEM
------------------

Pump Type .....	Engine driven, gear type
Pump Capacity .....	16.9 GPM (64 L/min) @ 3135 Pump RPM
System Relief @ Quick Couplers .....	2650 - 2750 PSI (183 - 190 Bar)
Hydraulic Filter .....	Full flow replaceable, 3 micron synthetic media element
Hydraulic Cylinders .....	Double-acting; tilt cylinders have cushioning feature on dump & rollback
Control Valve .....	3-Spool, open center type with spring detent on lift, electric solenoid valves for auxiliary spool
Fluid Type .....	Bobcat Hydraulic/Hydrostatic Fluid (P/N 6563328) Motor oil is not an acceptable alternative fluid.
<i>Bore Diameter</i>	
Lift Cylinder (2) .....	2.00 in. (50,8 mm)
Tilt Cylinder (1) .....	3.50 in. (88,9 mm)
<i>Rod Diameter</i>	
Lift Cylinder (2) .....	1.25 in. (31,8 mm)
Tilt Cylinder (1) .....	1.50 in. (38,1 mm)
<i>Stroke</i>	
Lift Cylinder (2) .....	26.57 in. (674,9 mm)
Tilt Cylinder (1) .....	14.50 in. (368,3 mm)
<i>Hydraulic Function Times</i>	
Raise Lift Arms .....	2.7 Seconds
Lower Lift Arms .....	1.8 Seconds
Bucket Dump .....	2.2 Seconds
Bucket Rollback .....	1.9 Seconds

**DRIVE SYSTEM**

Main Drive ..... Fully hydrostatic, 4-wheel drive  
Transmission ..... Infinitely variable tandem hydrostatic piston pumps, driving two fully reversing hydrostatic motors  
Final Drive Chains ..... Pre-stressed #80 HSOC endless roller chain (no master link) and sprockets in sealed chaincase with oil lubrication. Chains do not require periodic adjustments. Two chains per side with no idler sprocket  
Axle Size ..... 2.0 in. (50,8 mm) heat treated  
Wheel Bolts ..... (8) 9/16 in. wheel bolts fixed to axle hubs

**CAPACITIES**

Fuel Tank ..... 13.3 gals. (50,4 L)  
Cooling System without Heater ..... 9.8 qts. (9,18 L)  
Engine Oil with Filter ..... 9.5 qts. (9,0 L)  
Hydraulic Reservoir ..... 14 qts. (13,2 L)  
Hydraulic/Hydrostatic System ..... 6 gals. (22,0 L)  
Chaincase Reservoir ..... 8 gals. (30,0 L)

**CONTROLS**

Vehicle Steering ..... Direction and speed controlled by two hand levers  
Loader Hydraulics  
    Lift & Tilt ..... Controlled by separate foot pedals or optional Advanced Control System (ACS)  
    Front Auxiliary (Std.) ..... Controlled by electrical switch on Right Hand steering lever  
    Rear Auxiliary (Opt.) ..... Controlled by electrical switch on Left Hand steering lever  
Auxiliary Pressure Release .. Pressure is relieved through the coupler block, push in and hold for five seconds  
Engine ..... Hand lever throttle; key-type starter switch and shutdown  
Starting Aid ..... Glow Plugs – automatically activated by Standard or Deluxe Instrument Panel  
Service Brake ..... Two independent hydrostatic systems controlled by two hand operated steering levers  
Secondary Brake ..... One of the hydrostatic transmissions  
Parking Brake ..... Mechanical disk, hand operated rocker switch on dash panel

**SERVICEABILITY**

Access is available to the following through the rear door/tailgate and rear screen

- Air cleaner
- Alternator
- Battery
- Cooling system (radiator and hydraulic oil cooler) for cleaning
- Engine oil and fuel filters
- Engine oil drain and dipstick
- Starter

- Axle hubs provide protection for the axle seals
- Bobtach pivots have replaceable wear bushings
- Easy access to all lift arm grease points
- Rod end of the tilt cylinder has a replaceable bushing
- Tailgate has an optional lock for vandal proofing
- Tailgate is equipped with door stop to hold door open while servicing
- Tip-up operator cab gives access to certain hydraulic system components

**INSTRUMENTATION**

The following loader functions are monitored by a combination of gauges and warning lights in the operator's line of sight. The system shall alert the operator of monitored loader malfunctions by way of an audible alarm and visual warning lights.

**Standard Instrument Panel****Gauges**

Engine Coolant Temperature  
Fuel  
Hourmeter

**Indicators**

Attachment Control Device  
BICS Functions  
Glow Plugs

**Warning Lights**

Advanced Control System (ACS)  
Engine Air Filter  
Engine Coolant Temperature  
Engine Oil Pressure  
General Warning  
Hydraulic Filter  
Hydraulic Oil Temperature  
Hydrostatic Charge Pressure  
Seat Belt  
System Voltage

**Deluxe Instrument Panel (Option)**

Same gauges, warning lights and other features as Standard Instrument Panel plus:

Bar-type gauges ..... Engine Oil Pressure, System Voltage, Hydrostatic Charge Pressure and Hydraulic Oil Temperature

Additional features ..... Keyless Start with password capability, Digital Clock, Job Clock, Attachments Information, Digital Tachometer, Multi-Language Display, Help Screens, Diagnostic Capability & Engine/Hydraulic Systems Shutdown Function

**ATTACHMENTS**

Angle Broom*	Dumping Hopper	Scarifier	Tilt-Tatch
Auger	Grapple, Farm/Utility	Seeder	Tracks, Steel
Backhoe	Grapple, Industrial	Snow Blade	Trench Compactor
Brush Saw	Grader*	Snow V-Blade*	Trencher
Brushcat Rotary Cutter	Hydraulic Breaker	Snowblower*	Utility Forks
Buckets	Landplane	Sod Layer	Utility Frame
Bucket Adapter	Landscape Rake	Soil Conditioner*	Vibratory Roller
Chipper*	Mower	Spreader	Water Kit
Combination Bucket	Pallet Fork - Standard	Super Scraper	Whisker Broom
Concrete Mixer*	Pallet Fork - Hydraulic	Sweeper	
Digger	Planer	Three-Point Hitch	
Dozer Blade	Rear Stabilizer	Tiller	

See **Bobcat Product Price List** for specific attachment model availability.

\*Requires Attachment Control Kit

**FACTORY OPTIONS**

Advanced Control System (ACS)  
Selectable Joystick Control (SJC)  
Back-up Alarm and Horn

Engine Block Heater  
Hydraulic Bucket Positioning

**DEALER ACCESSORIES**

Attachment Control Kit  
Back-up Alarm  
Cab Accessory Harness  
Cab Enclosure  
Catalytic Exhaust Purifier  
Fire Extinguisher Kit  
FOPS Kit - Level II\*\*

Four-point Lift Kit  
Four-Way Flasher Light Kit  
Horn  
Hydraulic Bucket Positioning  
Locking Fuel Cap  
Power Bob-Tach  
Radio

Rear Auxiliary Hydraulics  
Ride Control  
Rotating Beacon Light  
Side Windows Kit  
Single-point Lift Kit  
Special Applications Kit  
Strobe Light Kit  
Tailgate Lock Kit

**HEATED CAB PACKAGES****H71 Option Package**

Cab Enclosure with Heat  
Power Bobtach  
Sound Reduction  
Suspension Seat  
Deluxe Instrumentation Panel  
Cab Accessory Harness  
Attachment Control Kit

**H51 Option Package**

Cab Enclosure with Heat  
Power Bobtach  
Suspension Seat  
Cab Accessory Harness

**H31 Option Package**

Cab Enclosure with Heat  
Suspension Seat  
Cab Accessory Harness

**OPEN CAB PACKAGES****O71 Option Package**

Power Bobtach  
Suspension Seat  
Deluxe Instrumentation Panel  
Cab Accessory Harness  
Attachment Control Kit

**O51 Option Package**

Suspension Seat  
Cab Accessory Harness  
Deluxe Instrumentation Panel

**O31 Option Package**

Suspension Seat  
Cab Accessory Harness

SAFETY
--------

Bobcat Interlock Control System (BICS) (Std.) .....	Requires the operator to be seated in the loader with the seat bar in place and the engine running. After the operator presses the "Press to Operate Loader" button, the loader's hydraulic lift and tilt functions and traction drive system can be operated.
Lift Arm Bypass Control (Std.) .....	Used to lower the lift arms in the event that the lift arms cannot be lowered during normal operating conditions.
Seat Belt (Std.) .....	Should always be worn when operating the loader.
Seat Bar (Std.) .....	Secondary operator restraint, also serves as an arm rest.
Operator Cab (Std.) .....	An enclosable operator cab with side screens with a minimal inside cab width of 33" (838 mm) as standard equipment. Meets SAE J1040 and ISO 3471 for Roll Over Protective Structure (ROPS) and SAE J1043 and ISO 3449 Level I for Falling Object Protective Structure (FOPS). Level II option is available.

***Level I – Acceptance is intended for protection from falling bricks, small concrete blocks and hand tools encountered in operations such as highway maintenance, landscaping and other construction site services.***

***Level II – Acceptance is intended for protection from falling trees or rocks for machines involved in site clearing, overhead demolition or forestry.***

Lift Arm Support (Std.) .....	Use for servicing when lift arms are raised
Parking Brake (Std.) .....	Always set brake when leaving loader
Grab Handles (Std.) .....	Should always be used when entering/exiting loader
Safety Tread (Std.) .....	Slip resistant tread on lift arms and main frame to be used when entering/exiting loader
Attachment Steps (Std.) .....	Should always be used when entering/exiting loader
Rear Window (Std.) .....	For emergency exit
Front & Rear Working Lights (Std.) .....	Use for indoor and low light operation
Backup Alarm (Opt.) .....	For use in jobs with low visibility
Lift Kits (Opt.) .....	Lift kits are available so loader may be lifted into remote areas
Special Applications Kit (Opt.) .....	Restricts objects and material from entering cab openings
Operator's Handbook (Std.) .....	Weather resistant operator handbook written in English will be attached to inside of cab, providing operational instructions and warnings by decals with pictorials and international symbols plus some messages in four basic languages: English, French, German and Spanish.

TRAINING RESOURCES
--------------------

These optional videotapes and training courses are available through Bobcat Parts

***Bobcat Skid-Steer Loader Operator Training Course***

4-hour course provides video, classroom and hands-on training (also available in Spanish)

***Bobcat Skid-Steer Loader Service Safety Training Course***

2-hour course provides video, classroom and hands-on training

***Bobcat Skid-Steer Loader Safety Video***

Short and to-the-point video provides basic safety instructions for the Skid-Steer Loader